



High-Performance Cassette-size Wireless a-Si Flat Panel Detector Mars 1417X

- Wireless cassette detector per ISO 4090, fits in bucky
- Best-in-class 100 μm pixel pitch with 16-bit ADC for more image details
- Direct deposition Csl, with excellent DQE at all frequencies
- Full AED control, exposure at any time

| Large capacity battery design, with 8+ hours battery life |

| Lightweight design with IP56 ingress protection |

| Supports a fast workflow for a better user experience |

Mars 1417X is a best in class 14×17-inch wireless, cassette-sized flat panel detector for radiographic imaging. It features a 100 μm pixel pitch with direct deposition Csl. Cutting-edge technologies include a novel light-weight housing design with IP56 ingress protection, in-tray battery charging, and reliable low power automatic exposure detection (AED). With its exceptional image quality the Mars 1417X is an excellent choice for high-end DR systems.

IMAGING THE FUTURE

High Performance Cassette-size Wireless a-Si Flat Panel Detector

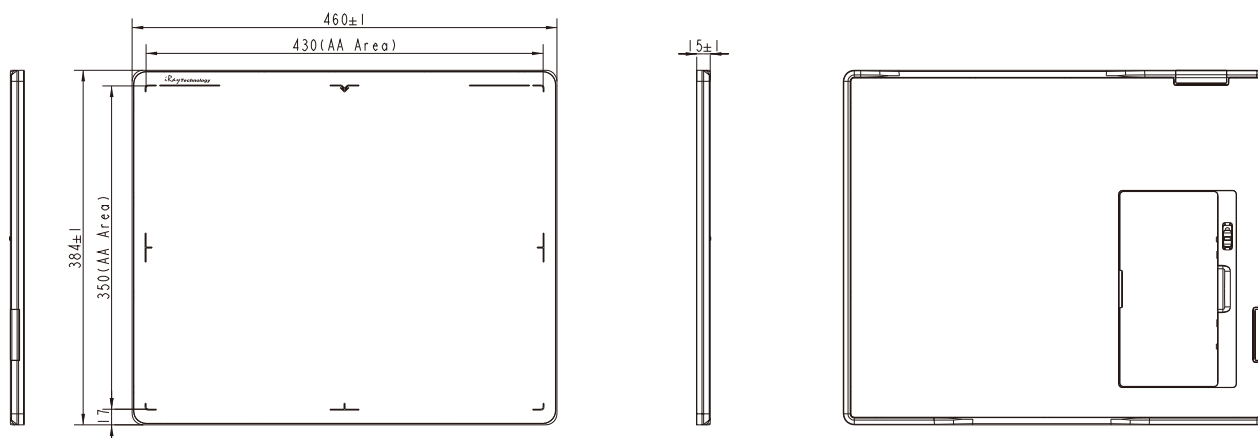
Technical Specifications

Mars 1417X

Detector Technology	Amorphous Silicon
Scintillator	CsI
Active Area (inch)	14 × 17
Pixel Matrix	3500 × 4300
Pixel Pitch (μm)	100
Spatial Resolution (lp/mm)	5
AD Conversion (bit)	16
Battery Autonomy (h)	8.5
WIFI	2.4G and 5G, IEEE802.11 a/b/g/n/ac
Trigger Mode	AED (Optional) / Software
Internal Image Storage(pcs)	>100
Full Image Time (s)	<3.5
Dimensions (mm ³)	384 × 460 × 15
Weight (kg)	3.0
Static Loading	300kg Uniformly
Ingress Protection	IP56
Operating Temperature (°C)	10 ~ 35
Storage & Transport Temperature with Package (°C)	-20 ~ 55
Operating Humidity (% RH)	5 ~ 90 (Non-Condensing)
Storage & Transport Humidity with Package (% RH)	5 ~ 95 (Non-Condensing)

Dimensions

Unit : mm



www.iraygroup.com

Manufactured by iRay Technology specifications subject to change without notice.
Copyright © 2020 iRay Technology. All Rights Reserved.

CHINA

iRay Technology Company Limited

Building 45, No.1000, Jinhai Road, Pudong
New Area, Shanghai, China 201206

Tel: +86-21-5072 0560

Fax: +86-21-5072 0561

Email: market@iraygroup.com

iRay Technology Taicang Ltd.

No.33, Xinggang Road, Taicang Port
Economic and Techn. Devel.
Zone, Taicang City, Jiangsu Prov-
ince, China 215400

KOREA

iRay Korea Limited

1820, 18F, 5, Gasan digital
1-ro, Geumcheon-gu, Seoul,
Republic of Korea 08594

Tel: +82-2-6335-6333

Fax: +82-2-6335-6334

Email: market@iraykorea.com

EUROPE

iRay Europe GmbH

In den Dorfwiesen 14
71720 Oberstenfeld, Germany

Tel: +49-7062-977 8800

Fax: +49-7062-976 0571

Email: sales@irayeuropa.com

